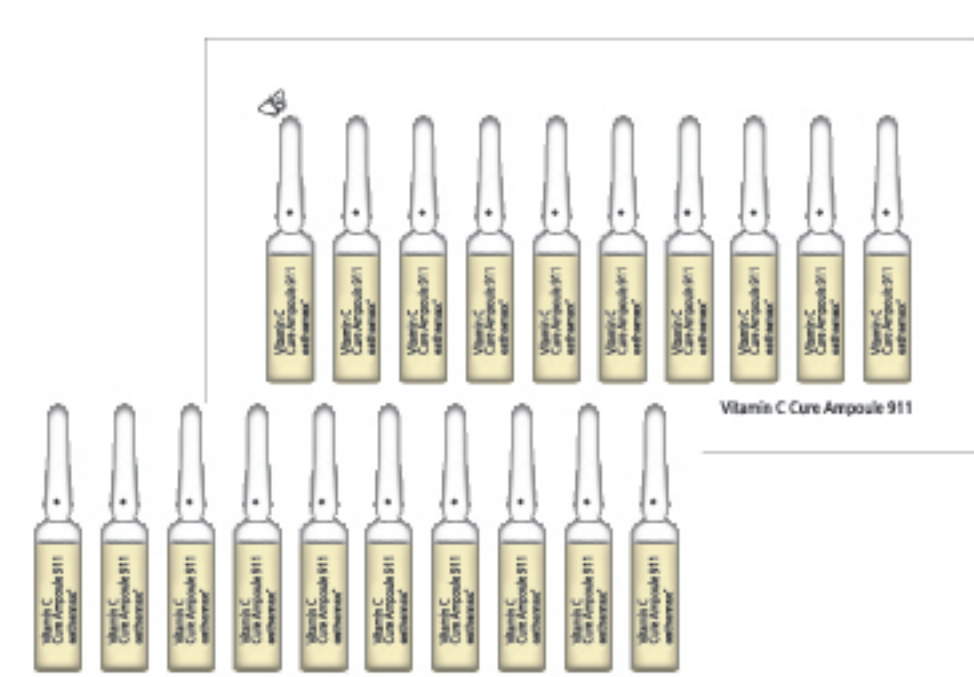


WHAT IS AN AMPOULE?

An Ampoule can revitalize the skin with mere drops of the ampoule solution. With higher concentration of beneficial ingredients, an ampoule can supercharge your skin. In a short period of time, the ampoule is absorbed into the skin to improve signs of various skin conditions. The Cure ampoule can target a specific skin care issue that needs to be improved such as aging, dryness, discoloration, dark spots, and more. By penetrating the deeper levels of the skin, an ampoule works harder to make skin beautiful.

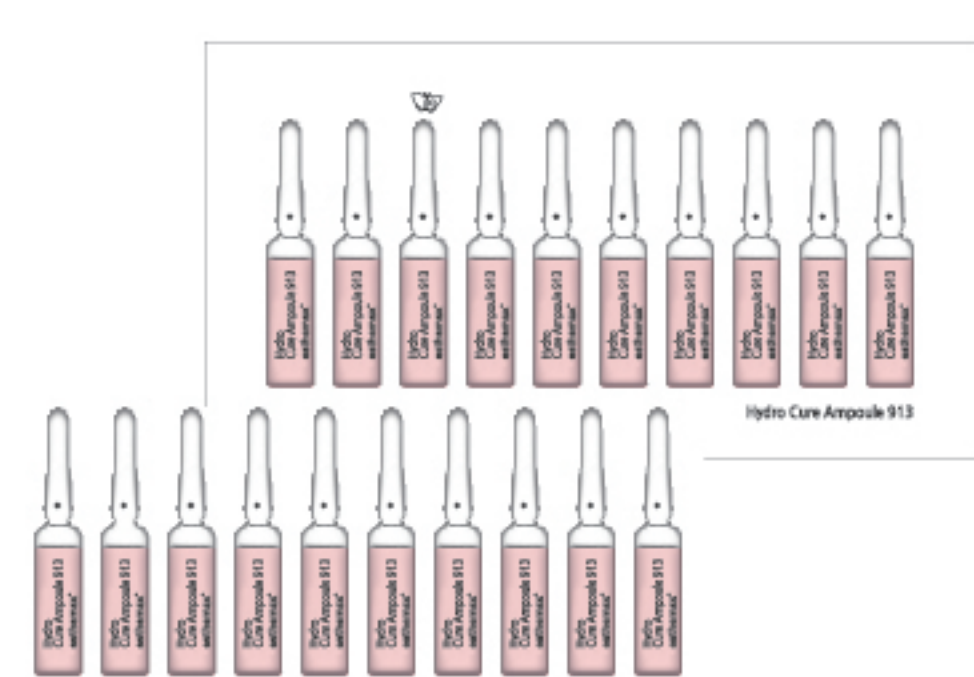
Vitamin C Ampoule



DESCRIPTION: The antioxidant activity in vitamin C protects the skin against damage caused by UV rays and free radicals. It is also one of the best-known treatments for brightening the skin and treating unwanted pigmentation.

INGREDIENTS: Water, Sodium Hyaluronate, Glycerin, Propylene Glycol, Butylene Glycol, Sodium Ascorbyl Phosphate(0.1%), Tocopheryl Acetate, Illicium Verum (Anise) Fruit Extract, Panthenol, Allantoin, Xanthan Gum, 1,2-Hexanediol, Yellow 6, Fragrance.

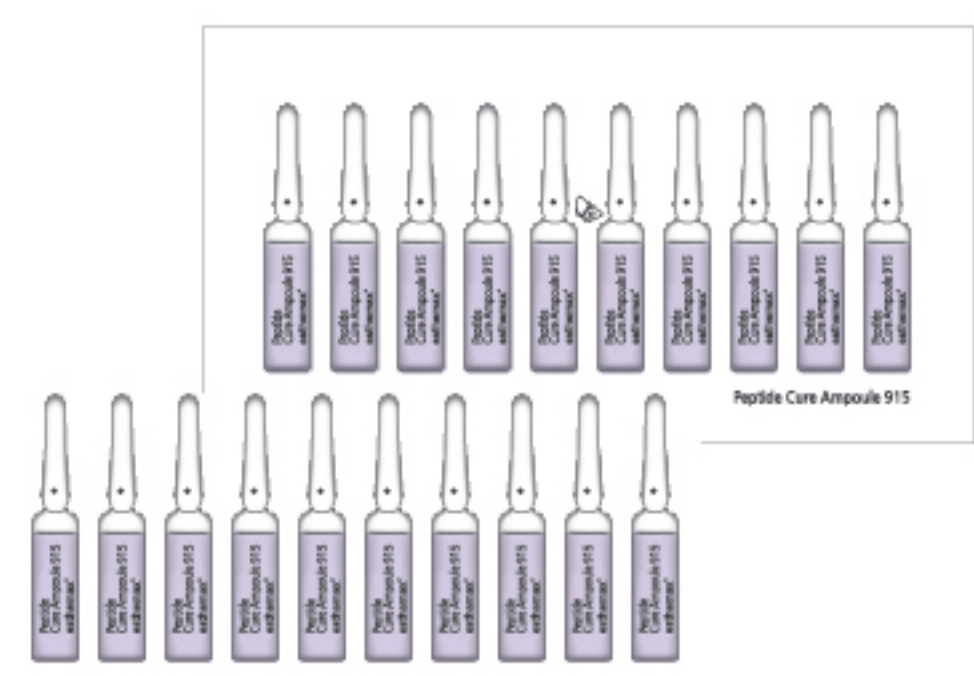
Hydro Ampoule



DESCRIPTION: Urea is a powerful humectant that hydrates and moisturizes the skin to give a softer texture by providing instant relief for dry, itchy skin. It will be able to nurse it back to health and make it glow. It will be able to strengthen the skin's protective barrier to help the moisture stay within the skin.

INGREDIENTS: Water, Glycerin, Propylene Glycol, Butylene Glycol, Urea(0.2%), Sorbitol(0.14%), Illicium Verum (Anise) Fruit Extract, Panthenol, Allantoin, Sodium Hyaluronate, Tocopheryl Acetate, Xanthan Gum, 1,2-Hexanediol, Red 40, Fragrance.

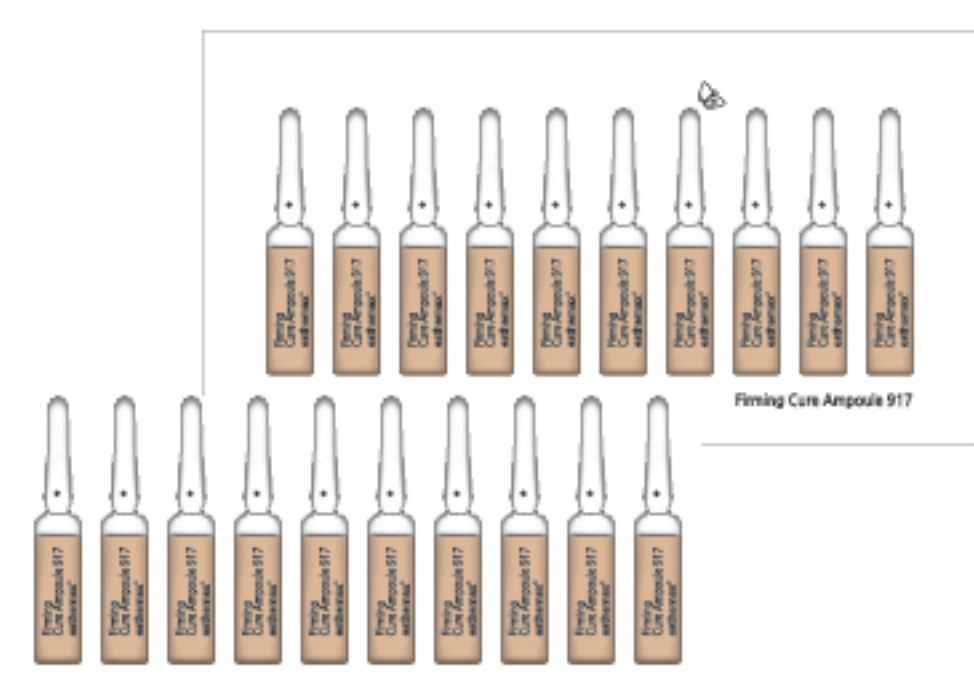
Peptide Ampoule



DESCRIPTION: Peptides work by stimulating the production of collagen and hyaluronic acid, two natural components of skin that support the skin structure, their loss results in wrinkles and sagging skin.

INGREDIENTS: Water, Glycerin, Propylene Glycol, Butylene Glycol, Persea Gratissima (Avocado) Fruit Extract, Acetyl Hexapeptide- 8(0.0001%), Triethanolamine, Illicium Verum (Anise) Fruit Extract, Panthenol, Allantoin, Sodium Hyaluronate, Tocopheryl Acetate, Xanthan Gum, 1,2-Hexanediol, Blue 1, Red 40, Fragrance.

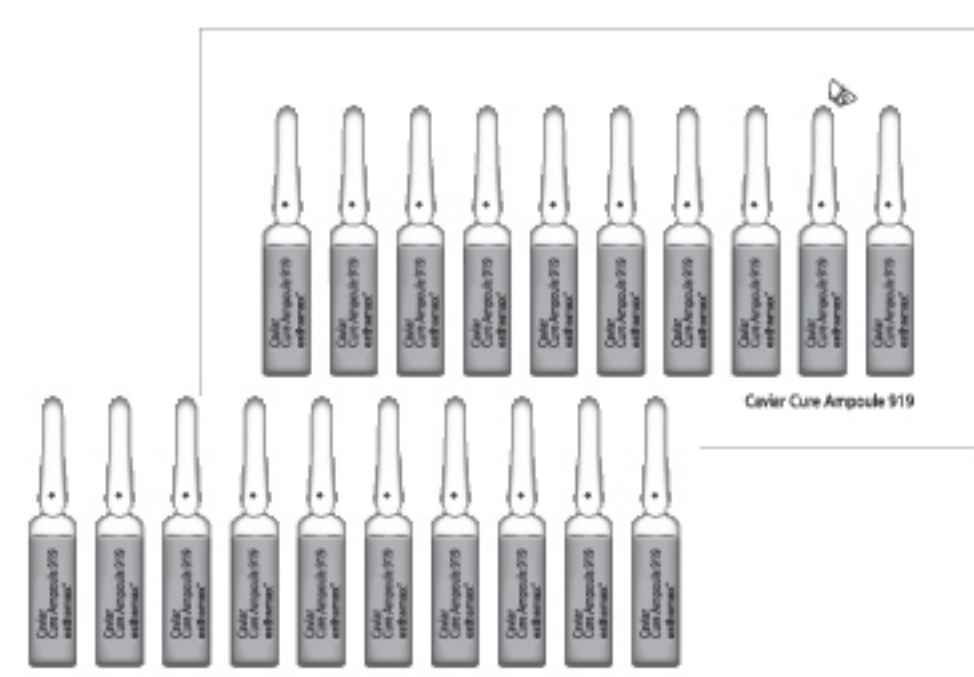
Firming Ampoule



DESCRIPTION: Snail mucin is rich in hyaluronic acid and allantoin to exhibit antioxidant activities, stimulate collagen production, and improve facial lines and wrinkles. It also stimulates the skin to produce collagen and elastin to result in clearer skin while fighting signs of aging and sun damage.

INGREDIENTS: Water, Glycerin, Propylene Glycol, Butylene Glycol, Snail Secretion Filtrate(0.098%), CucumisSativus(Cucumber)Extract(0.0745%), Illicium Verum (Anise) Fruit Extract, Panthenol, Allantoin, Sodium Hyaluronate, Tocopheryl Acetate, XanthanGum, 1,2- Hexanediol, Caramel, Fragrance.

Caviar Ampoule



DESCRIPTION: Caviar is packed with vitamins and minerals that richly nourish the skin and repair damage for strong and luminous skin and is thought to aid the skin's natural processes in treating inflammation, balancing skin tone, and producing wrinkle-reducing collagen.

INGREDIENTS: Water, Glycerin, Propylene Glycol, Butylene Glycol, Caviar Extract(0.0941%), Illicium Verum (Anise) Fruit Extract, Panthenol, Allantoin, Sodium Hyaluronate, Tocopheryl Acetate, Xanthan Gum, 1,2-Hexanediol, Charcoal Powder, Fragrance.

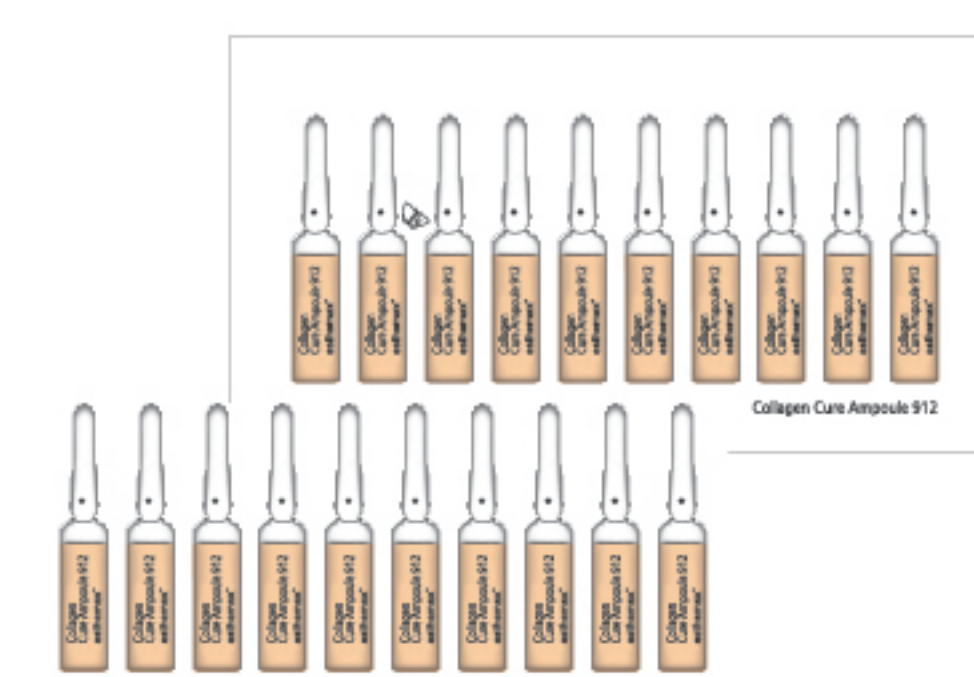
Multi Ampoule



HOW TO USE

1. To apply, tilt the bottle over, dropper facing down.
2. Press the tip of the dropper to one side releasing three to four drops of ampoule on the skin. -Apply AM & PM before your moisturizer.
3. Apply ampoule before applying facial masks to maximize results.
4. Maximize the treatment results with microcurrent technology treatment: Microcurrent delivery is possible due to ionized ampoule formula.

Collagen Ampoule



DESCRIPTION: Collagen is a fibrous protein with antioxidant properties that is responsible for giving elasticity to the skin to hold the skin in place. It also prevents or even repairs damage caused by environmental factors such as UV rays and low humidity.

INGREDIENTS: Water, Glycerin, Propylene Glycol, Butylene Glycol, Hydrolyzed Collagen(0.001%), Aloe Barbadosis Leaf Juice, Illicium Verum (Anise) Fruit Extract, Panthenol, Allantoin, Sodium Hyaluronate, Tocopheryl Acetate, Xanthan Gum, 1,2- Hexanediol, Yellow 6, Red 40, Fragrance.

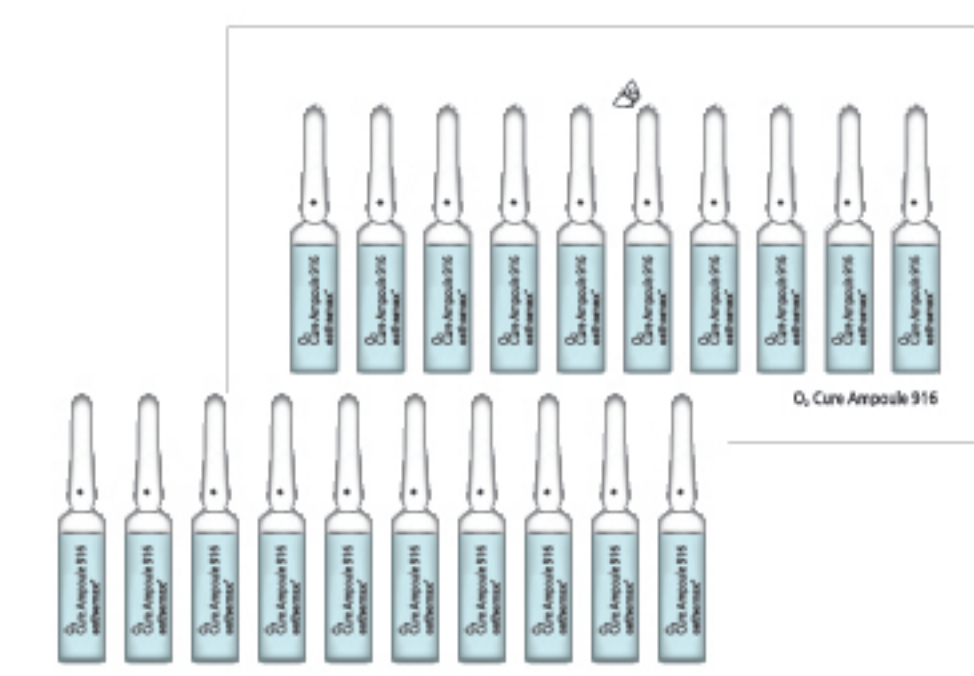
ALA-13 Ampoule



DESCRIPTION: Blue LED light with 5-Aminolovulinic Acid HCl (ALA) penetrates the dermis to kill the bacteria that causes acne breakouts (P. acnes). The P. acnes bacteria can grow in the hair follicles and cause inflammation, which then blocks pores and turns into inflamed pimples.

INGREDIENTS: Water, Glycerin, Propylene Glycol, Butylene Glycol, Aminolevulinic Acid HCl(13ppm), Centella Asiatica Extract, Portulaca Oleracea Extract, Ananas Sativus (Pineapple) Fruit Extract, Illicium Verum (Anise) Fruit Extract, Panthenol, Allantoin, Sodium Hyaluronate, Tocopheryl Acetate, Xanthan Gum, 1,2-Hexanediol, Yellow 6, Blue 1, Fragrance.

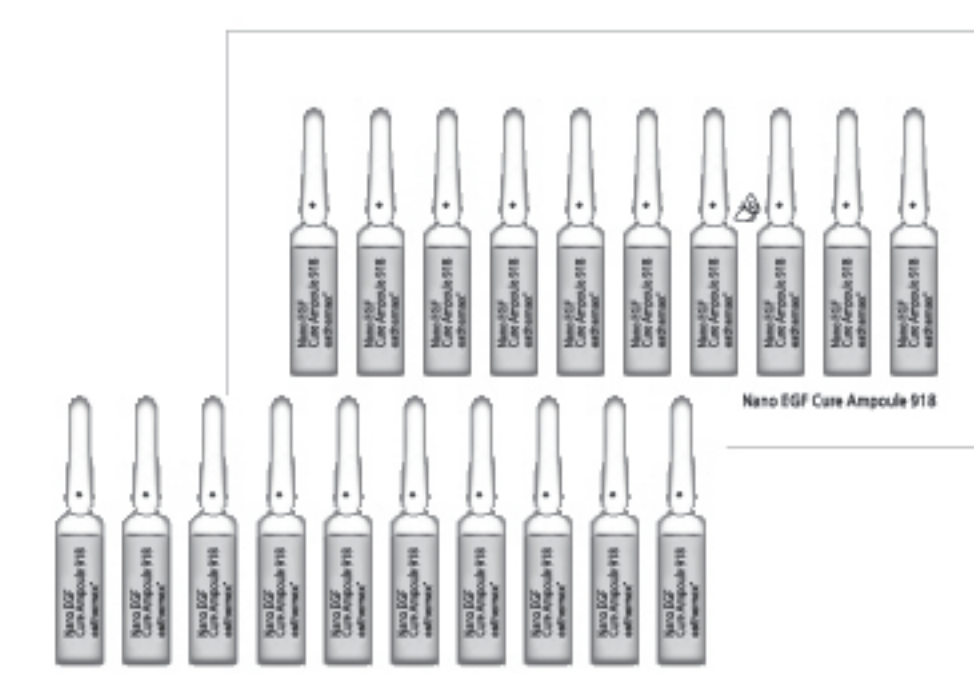
O₂ Ampoule



DESCRIPTION: Oxygen stimulates the skin's natural healing function by leaving the skin brighter and healthier. It also enhances the collagen production to revitalize dull, sleepy skin. It gives skin exhausted by age, stress and smoking a clean, fresh feeling with refined radiance.

INGREDIENTS: Water, Oxygen(19.59%), Glycerin, Propylene Glycol, Butylene Glycol, Rosmarinus Officinalis (Rosemary) Leaf Extract(0.03%), Punica Granatum Fruit Extract(0.03%), Illicium Verum (Anise) Fruit Extract, Panthenol, Allantoin, Sodium Hyaluronate, Tocopheryl Acetate, Xanthan Gum, 1,2-Hexanediol, Blue 1, Fragrance.

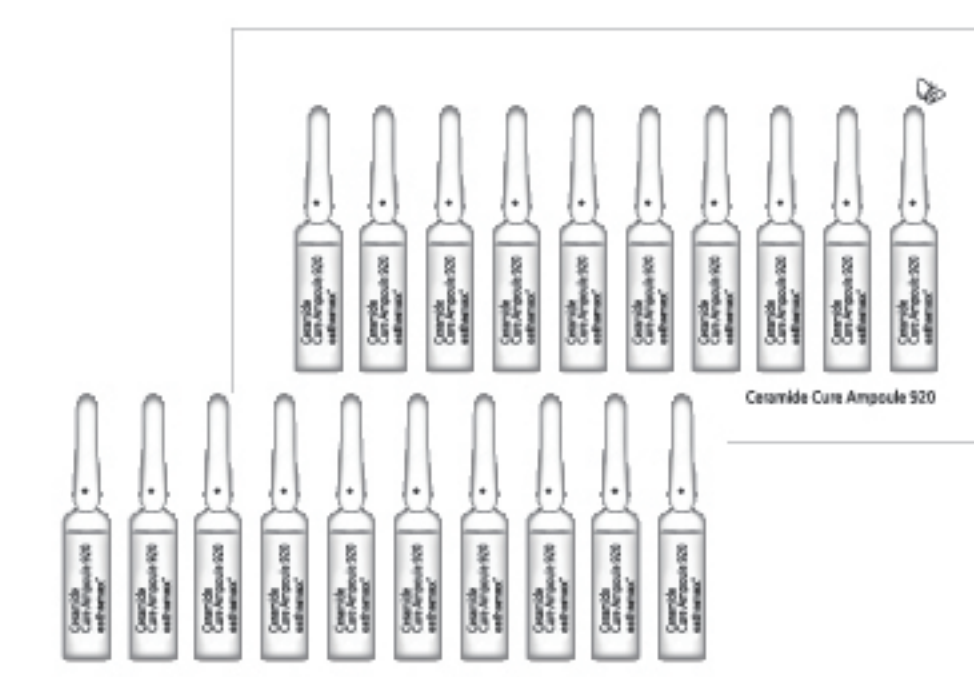
Nano EGF Ampoule



DESCRIPTION: Epidermal Growth Factor (EGF) is an age-prevention ingredient that can help with cell renewal and wound repair for the skin. As we age, our EGF levels decrease causing mature, saggy skin. EGF is a significant protein found in fibroblast cells that can work to stimulate to skin to restore the collagen process.

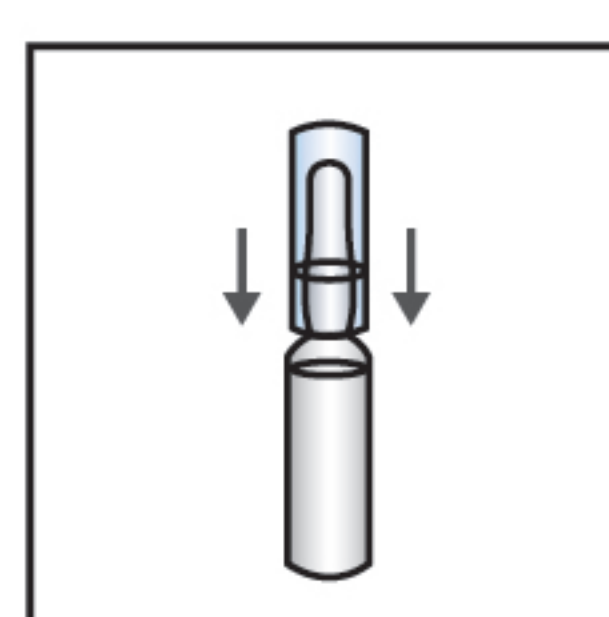
INGREDIENTS: Water, Glycerin, Butylene Glycol, sh-Oligopeptide-11(10ppb), Lecithin, Ceramide NP, Hydrogenated Lecithin, Betaine, Sodium PCA, Proline, Threonine, Glutamic Acid, Lysine, Arginine, Sorbitol, Glycine, Ceresin, Simmondsia Chinensis (Jojoba) Seed Oil, Squalane, Octyldodecanol, Tocopheryl Acetate, Illicium Verum (Anise) Fruit Extract, Caprylic/Capric Triglyceride, Cholesterol, Panthenol, Sodium Hyaluronate, Xanthan Gum, Polysorbate 20, Styrene/VP Copolymer, Disodium EDTA, Caprylyl Glycol, 1,2-Hexanediol, Fragrance.

Ceramide Ampoule

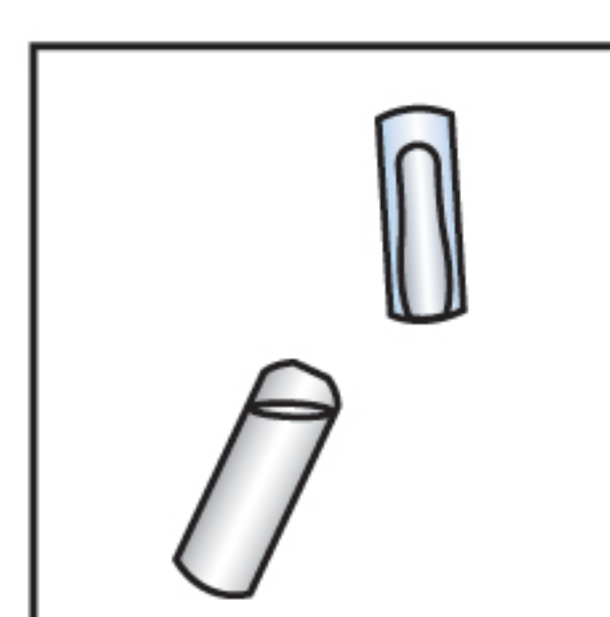


DESCRIPTION: Ceramides play a role in maintaining skin's ability to retain moisture. In the top layer of the skin, ceramides hold skin cells together, forming a protective layer that plumps the skin and improve the skin's texture, suppleness, and help calm signs of sensitivity.

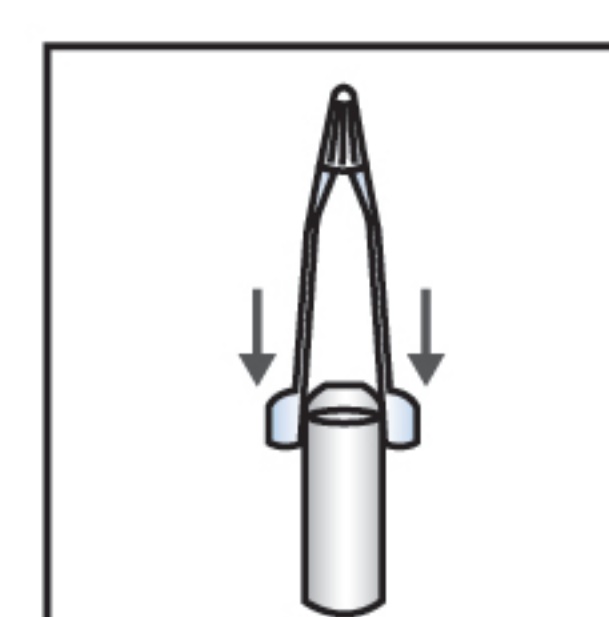
INGREDIENTS: Water, Glycerin, Butylene Glycol, Ceramide NP(0.0085%), Hydrogenated Lecithin, Lecithin, Betaine, Sodium PCA, Proline, Threonine, Glutamic Acid, Lysine, Arginine, Sorbitol, Glycine, Ceresin, Simmondsia Chinensis (Jojoba) Seed Oil, Squalane, Octyldodecanol, Tocopheryl Acetate, Illicium Verum (Anise) Fruit Extract, Hamamelis Virginiana (Witch Hazel) Extract, Caprylic/Capric Triglyceride, Cholesterol, Panthenol, Sodium Hyaluronate, Xanthan Gum, Disodium EDTA, Caprylyl Glycol, 1,2-Hexanediol, Fragrance.



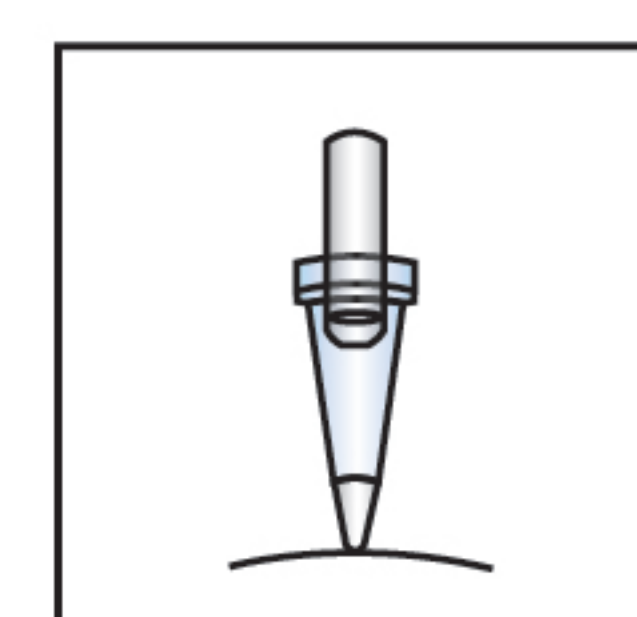
1. Please put the opener on top of the ampoule bottle and carefully break from the marked point. (The liquid must be settled at the bottom of the bottle.)



2. Please discard the top part of the bottle accordingly.



3. Please put the Dropper onto the top of the bottle.



4. Squeeze the bottle to drop the content onto the skin.